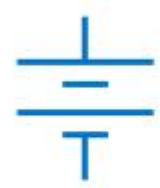


Digital Library



Cell



Battery



AC Voltage



Current



Voltmeter



Ammeter



Electrical and Electronics Engineering

www.electricalandelectronicsengineering.com



Handbook of Electrical Symbols

Basic Electrical Symbols



Cell



Battery



AC Voltage



Current



Voltmeter



Ammeter



Wires not crossing



Wires crossing



Fuse



Resistor



Resistor



Lamp



Wattmeter









Variable Resistor



To learn more about **Electrical and Electronics Engineering:**

www.electricalandelectronicsengineering.com





Electrical Sources

Source	Symbol
Cell	
Battery	
AC Voltage	
DC Voltage	
DC Current	
AC Current	



To learn more about **Electrical and Electronics Engineering:**
www.electricalandelectronicsengineering.com








Instrumentation Devices

Source	Symbol
Voltmeter	
Ammeter	
Wattmeter	
Ohmmeter	



To learn more about Electrical and Electronics Engineering:
www.electricalandelectronicsengineering.com

Resistors








Source	Symbol
Resistor	
Variable	
Photoresistor	
Adjustable Resistor	
Tapped	
Thermistor	
Trimmer Resistor	

www.electricalandelectronicsengineering.com



To learn more about Electrical and Electronics Engineering:
www.electricalandelectronicsengineering.com

Inductors


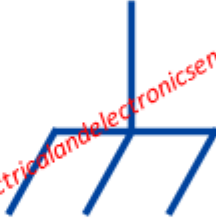

Source	Symbol
Inductor	
Tapped Inductor	
Variable Inductor	
Iron Core	
Ferrite Core	
Shunt Inductor	
Series Inductor Pathe short	

www.electricalandelectronicsengineering.com



To learn more about **Electrical and Electronics Engineering:**
www.electricalandelectronicsengineering.com

Ground

Source	Symbol
Ground	
Chassis Ground	
Digital Ground	



To learn more about **Electrical and Electronics Engineering:**
www.electricalandelectronicsengineering.com

Surf hundreds of Books in our Digital Library

Click on any book to visit Digital Library



Digital Library

Electrical and Electronics Engineering
www.electricalandelectronicsengineering.com

EEE Ohm's law



Digital Library

Electrical and Electronics Engineering
www.electricalandelectronicsengineering.com

EEE Components of Transmission Lines



Digital Library

Electrical and Electronics Engineering
www.electricalandelectronicsengineering.com

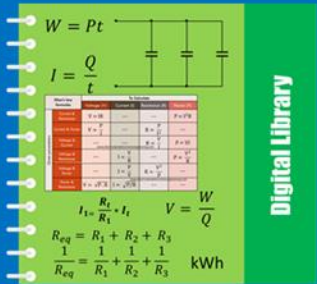
EEE Switchgear



Digital Library

Electrical and Electronics Engineering
www.electricalandelectronicsengineering.com

EEE Transformer Types



Digital Library

Electrical and Electronics Engineering
www.electricalandelectronicsengineering.com

EEE Basic Electrical Formulas



Digital Library

Electrical and Electronics Engineering
www.electricalandelectronicsengineering.com

EEE Current transformer



Digital Library

Electrical and Electronics Engineering
www.electricalandelectronicsengineering.com

EEE Potential transformer



Digital Library

Electrical and Electronics Engineering
www.electricalandelectronicsengineering.com

EEE Induction Motor MCQs



Digital Library

Electrical and Electronics Engineering
www.electricalandelectronicsengineering.com

EEE Insulation Resistance & IR Testing of cables

