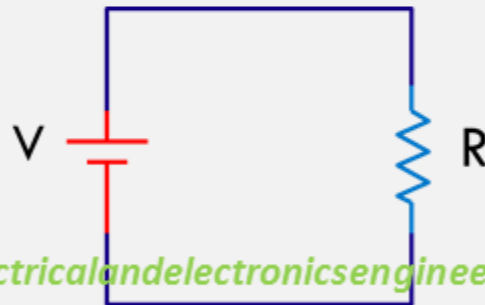


What is an Electric Circuit

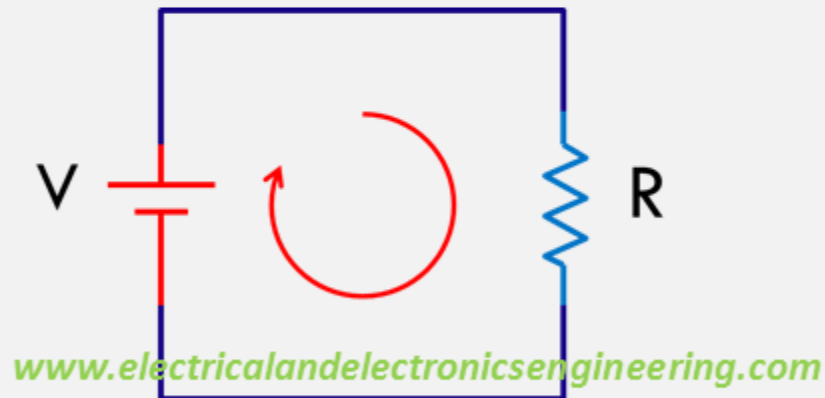
An electric circuit is a conducting path through which an electric current is intended to flow



www.electricalandelectronicsengineering.com

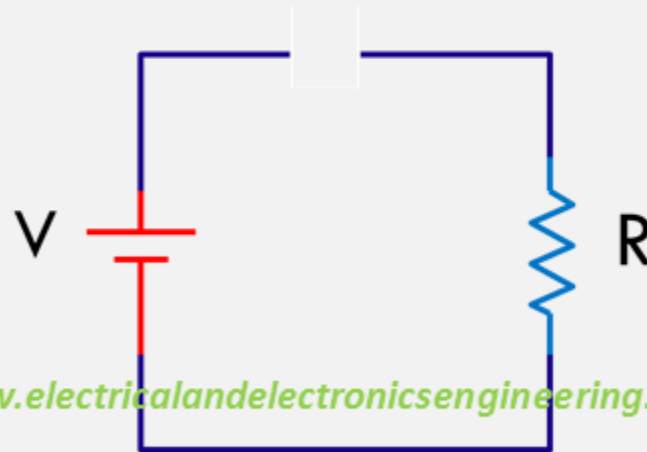
Closed circuit

The complete path in which flow of electric current takes place through the load



Open circuit

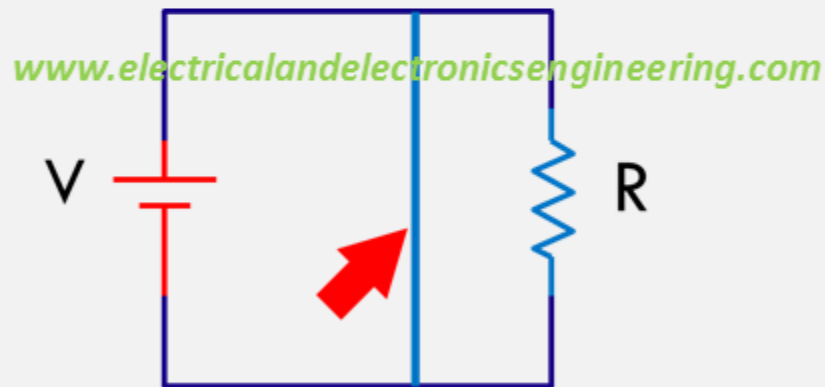
A circuit which is disconnected at least at one point



www.electricalandelectronicsengineering.com

Short circuit

If supply mains are connected directly by a piece of wire without any load, this results in a short circuit



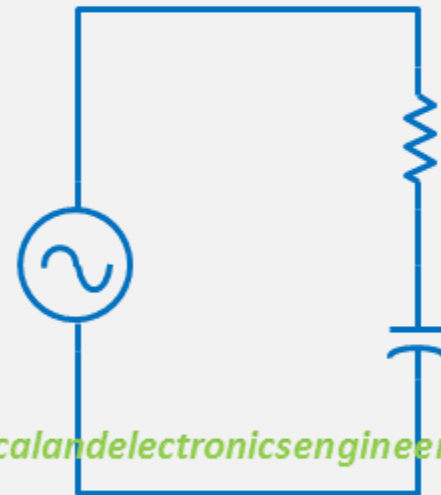
Leakage or Earth circuit

If supply wire from mains touches the body of an appliance this results in leakage circuit

www.electricalandelectronicsengineering.com

AC Circuit

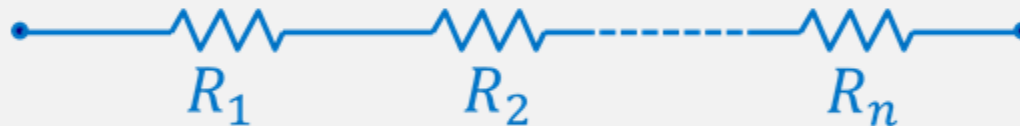
A circuit having AC current flowing through or containing AC source is known as AC circuit



www.electricalandelectronicsengineering.com

Series Circuit

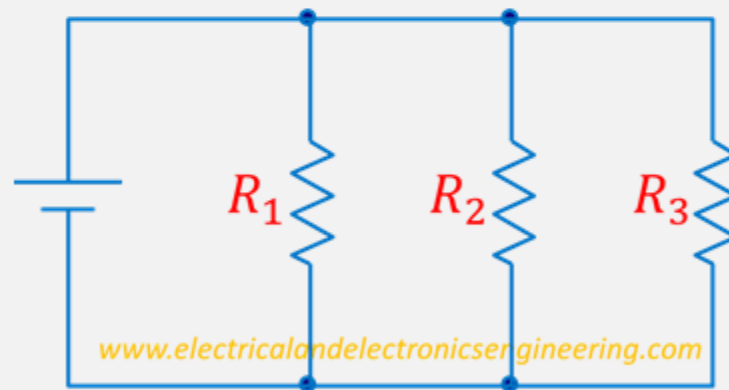
**A circuit whose all components are connected
in series**



www.electricalandelectronicsengineering.com

Parallel Circuit

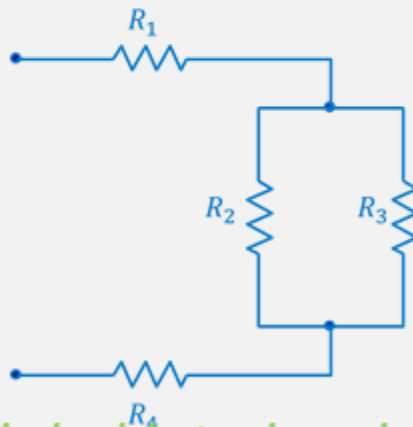
A circuit whose all components are connected in parallel



www.electricalandelectronicsengineering.com

Series-Parallel Circuit

A circuit having some components connected in series while others in parallel



www.electricalandelectronicsengineering.com